

Solutions for High Activity Waste

Michael Lauer
V.P. Business Development
March 4, 2009

WM Symposia 2009

WCS Regulatory Approvals

- Low-Level Radioactive Waste (**LLRW**) disposal
 - TCEQ License allowing disposal of federal and Texas Compact Class A, B & C

- Hazardous and Industrial Solid Waste Disposal (**RCRA** equivalent)
 - TCEQ Permit issued December 2008 (Federal LLRW Facility only)

- Byproduct material disposal (**11e2**)
 - TCEQ License May 2008 - Construction started in August 2008

WASTECONTROL
SPECIALISTS LLC



Aerial Photo Looking North – Wide View



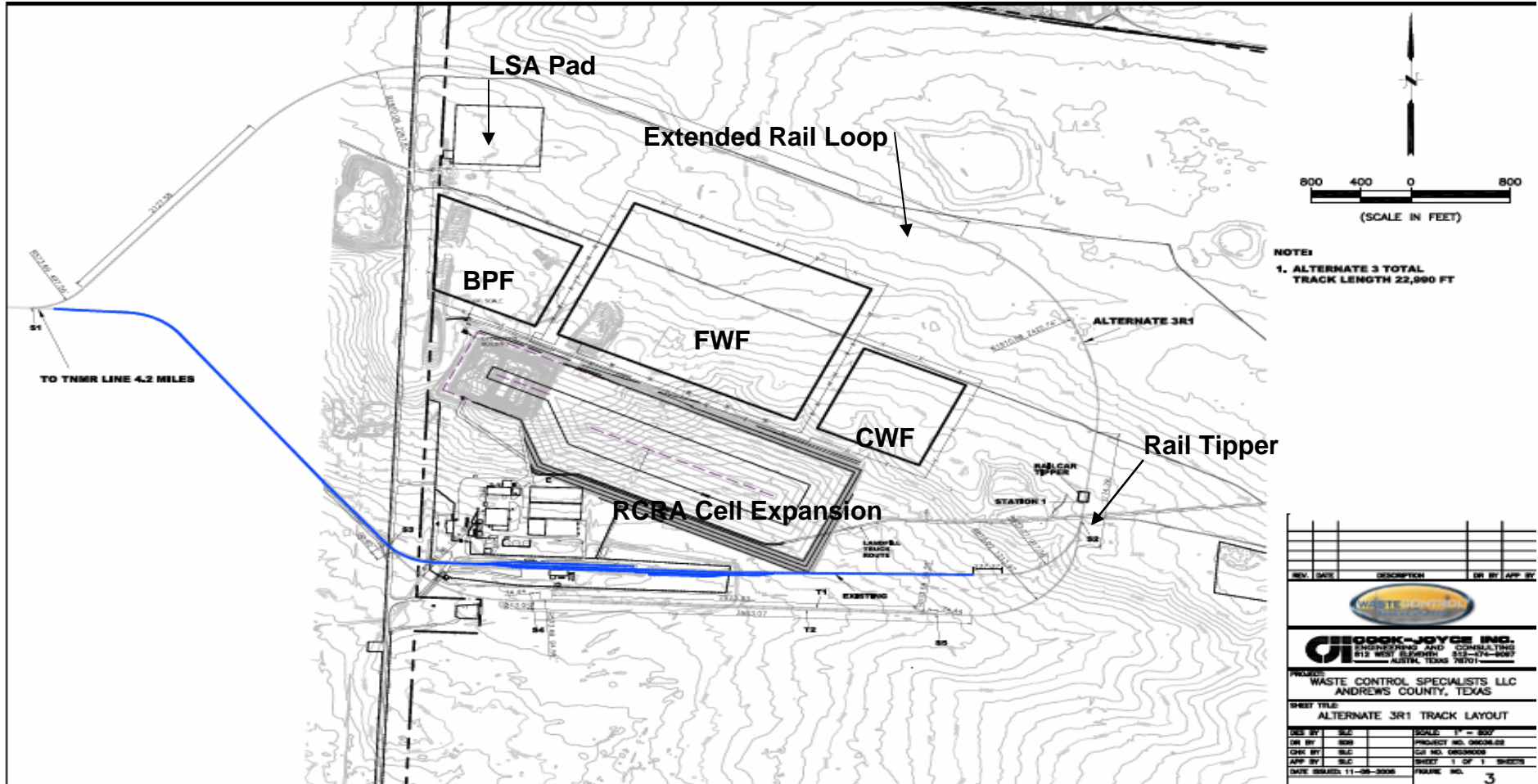
WASTECONTROL
SPECIALISTS LLC

Aerial Photo Looking South – Close View





Planned Infrastructure Improvements



Path Forward on Disposal Licensing

➤ Disposal to start **July 2010**

- Outstanding issues to begin construction by July 2009
 - Condemnation of remaining 1% of mineral rights
 - Complete remaining environmental studies
- Construction will take approximately one year

➤ Forthcoming License Amendment submissions include:

- Bulk disposal (including debris)
- Receipt by Rail
- Disposal of DUF6 waste streams

Broad Scope Treatment License & Permit

- Rad. Material Possession License
 - No Limit on SNM grams
 - Max. of 2,000,000 Ci allowed
 - 1,803,000 ft³ storage Limit
- RCRA and TSCA Permit allows for mixed waste treatment
- Treatment facility
 - 20,000 ft² negative pressure (HEPA filtered) building
 - Includes double containment capability

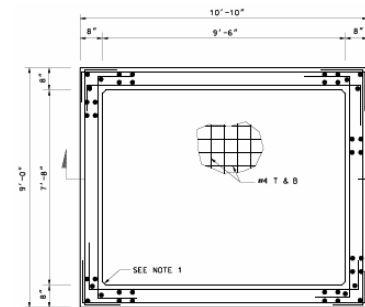
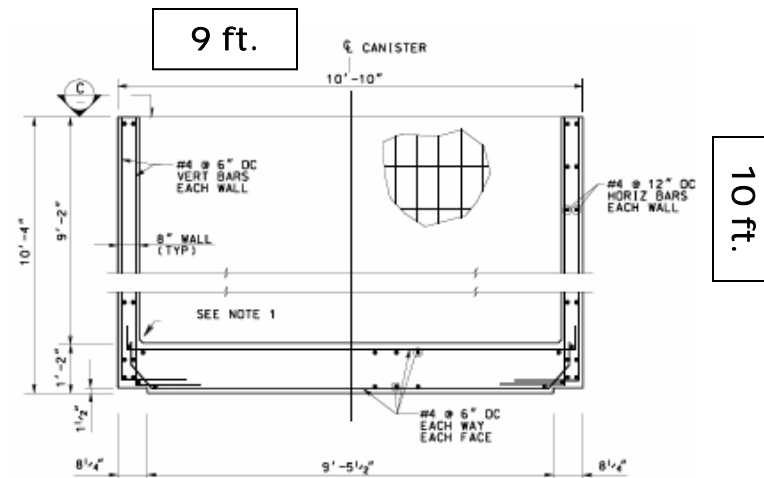
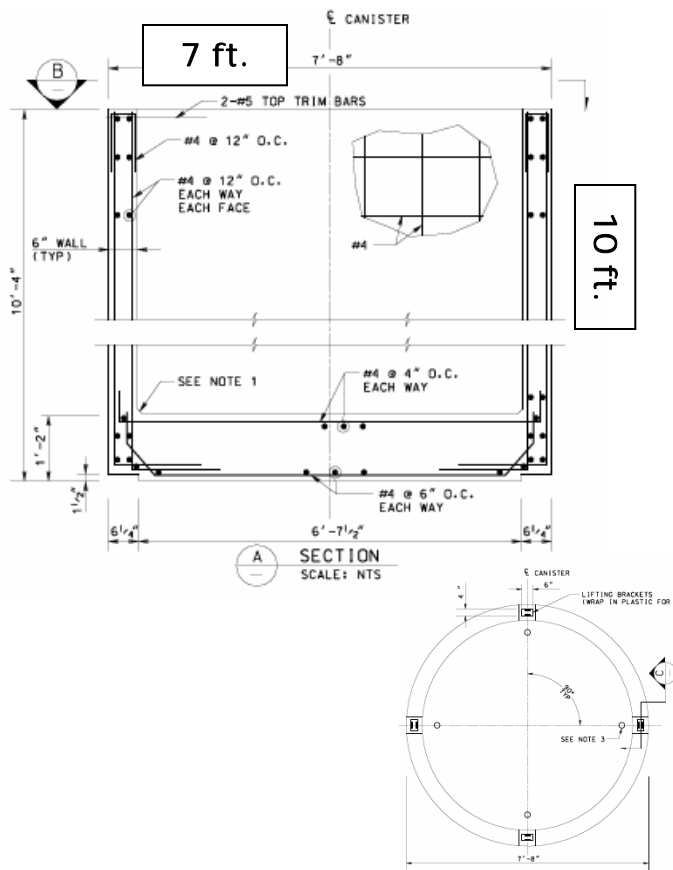


What can we Dispose Of ???????

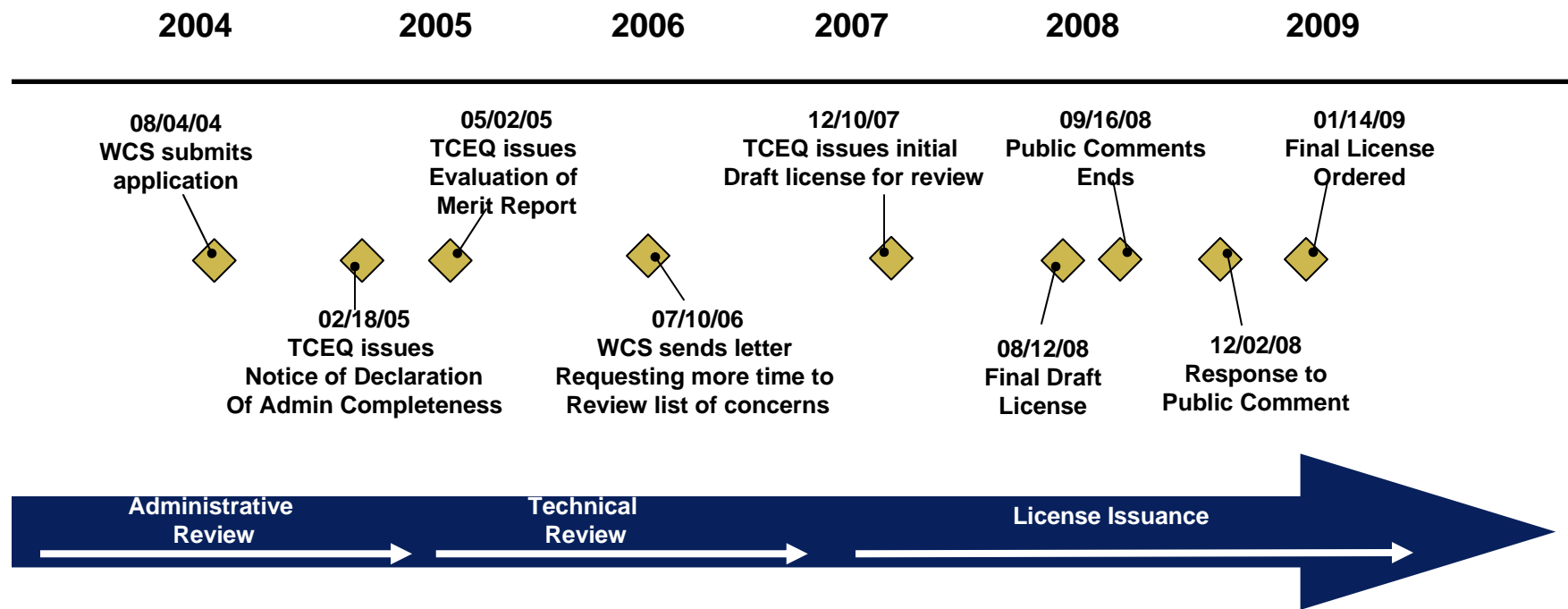
- TX Compact Waste Disposal Facility:
 - 2,310,000 cubic feet and 3,890,000 curies
- Federal Waste Disposal Facility:
 - 26,000,000 cubic feet and 5,600,000 curies total
 - 8,100,000 cubic feet and 5,500,000 curies of containerized Class A, Class B and Class C

High A and B/C Will Be Containerized

- Waste can be received in an “unstable” form – containerization will “stabilize” the waste for disposal

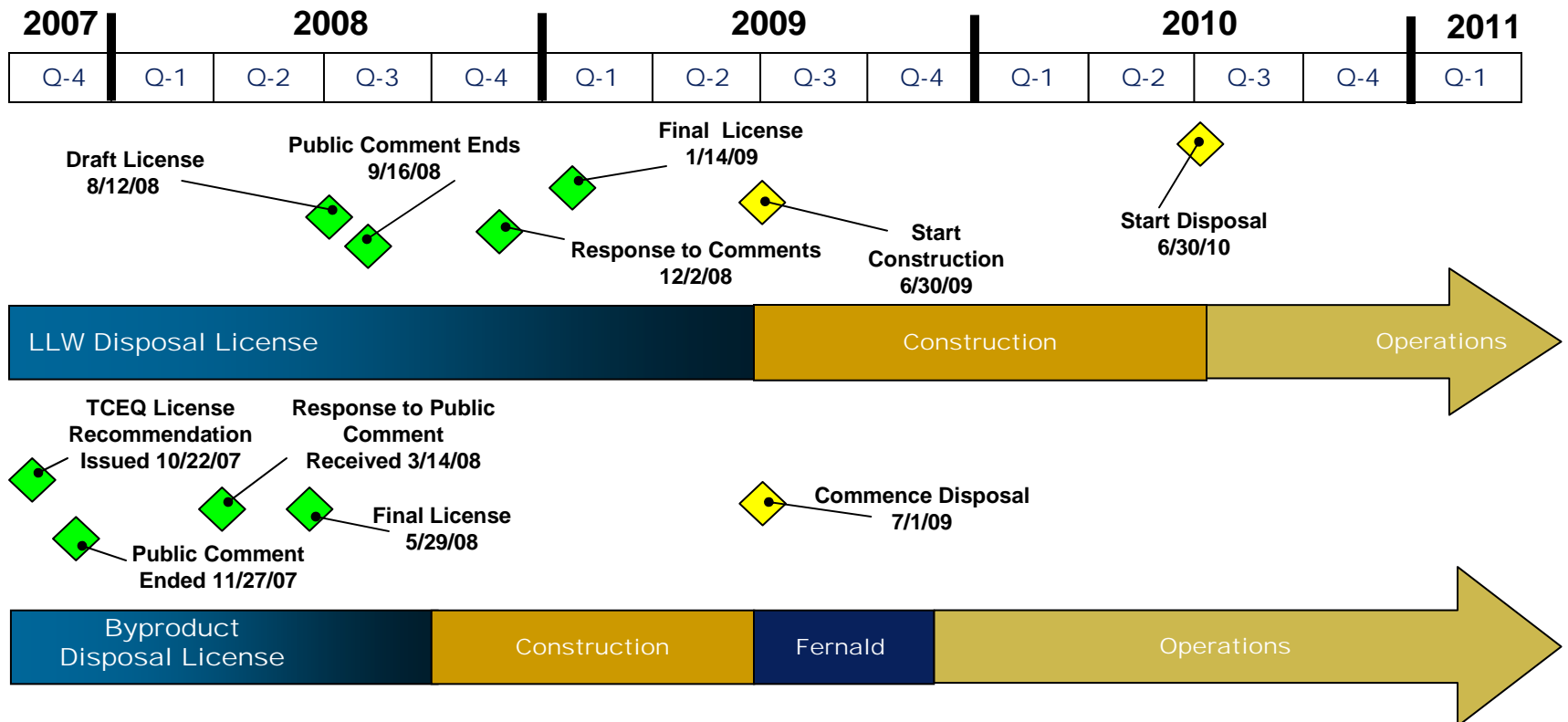


Our LLRW Licensing Journey



Vision of the Future

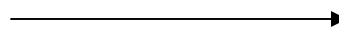
Licensing Initiatives



Expanding Capabilities

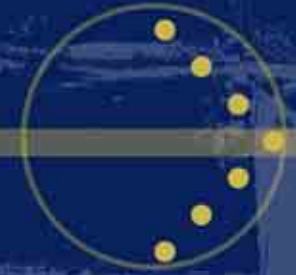
Authorizations with Completed Facilities

- RCRA/TSCA/CERCLA Landfill
- Exempt Radioactive Waste Disposal
- LLW/MLLW Treatment/Storage



Authorizations with Facilities Under Construction

- Class A, B & C LLW Disposal for Texas Compact
- Class A, B & C LLW/MLLW Disposal for DOE
- Byproduct [11e.(2)] Material Disposal



Questions?